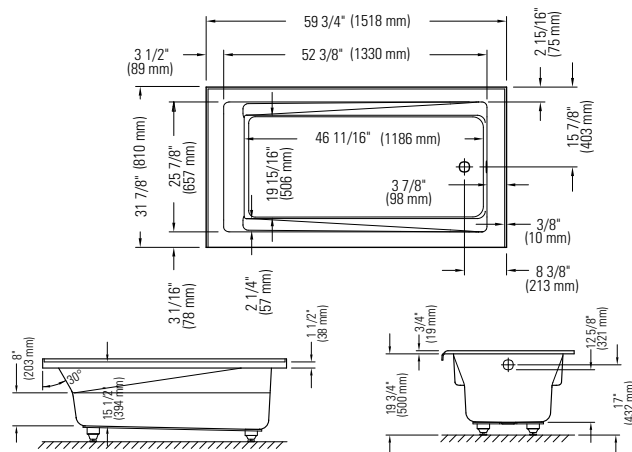


# ZENYA 3260 AFR

WITH INTEGRATED TILING FLANGE



59 3/4" x 31 7/8" x 19 3/4" [52 gallons]



ZENYA SKIRT 60"



## GENERAL SPECIFICATIONS

- Acrylic thermoformed and reinforced with fiberglass
- Gloss finish resistant to stains and discoloration
- Immersion 12 5/8" - Adjustable legs
- Weight: 54 pounds

## GENERAL OPTIONS

Acrylic colors: white biscuit* or bone* (allow 3 weeks for delivery)	
Available in left or right version (integrated tiling flange) 60" Zenya skirt (not factory-installed)	E12.18960.0000
White mood light: white, biscuit, bone or chrome finish	
Handle: white, biscuit, bone or chrome finish (max. 2) (submit drawing with order)	95.7077.106.XX
Drain D105 (20"): chrome finish	62.4020.102.60
Black neck pillow (12" x 4")	18.6000.100.20

## WHIRLPOOL OPTIONS

Finish for Whirlpool jets: white, biscuit or bone  
Other: chrome

Inline heater 110 V

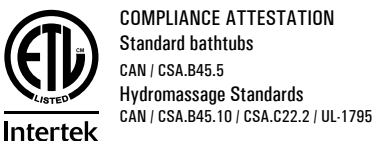
## ACTIV-AIR OPTIONS

Finish for Activ-Air jets: white, biscuit or bone  
Other: chrome

Blower hose extension 36"	95.5013.116.00
Blower hose extension 72"	95.5013.167.00
Blower hose extension 96"	95.5013.168.00

Blower extensions are necessary when the blower is located more than 4' from the pneumatic control.

DIMENSIONS ARE NOMINAL AND MAY VARY BY ± 1/4" (6MM).  
 WEIGHT MAY VARY BY ± 5 LBS (2,3KG).  
 DRAWING IS NOT SCALE. THESE DIMENSIONS MAY BE CHANGED AT THE MANUFACTURER'S DISCRETION.  
 CONSULT THE INSTALLATION GUIDE FOR MORE INFORMATION.



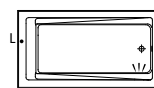
**Certification ECORESPONSIBLE**  
 First manufacturer of bathroom products in North America to be certified ecoresponsible.



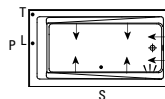
# Produits Neptune

ENTREPRENEUR

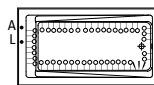
6635, Picard street, Saint-Hyacinthe (Quebec) J2S 1H3  
 Phone: (450) 773-7058 - Fax: (450) 773-5063  
 produitsneptune.com



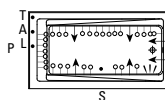
Bathtub only left drain E10.18912.4500  
 Bathtub only right drain E10.18912.4000



Whirlpool left drain E15.18912.450030  
 Whirlpool right drain E15.18912.400030  
 Included: 6 round jets, two air controls,  
 one 7.5 A (120 V) pump and one pneumatic control.



Activ-Air left drain E15.18912.450010  
 Activ-Air right drain E15.18912.400010  
 Included: 32 Activ-Air micro-jets, one blower  
 9.5 A (120 V) with heating element (200 W)  
 and one pneumatic control.



Whirlpool/Activ-Air combo left drain E15.18912.450031 \$3195  
 Whirlpool/Activ-Air combo right drain E15.18912.400031 \$3195  
 Included: 6 round jets, 30 Activ-Air micro-jets,  
 two air controls, one 7.5 A (120 V) pump, one blower  
 9.5 A (120 V) with heating element (200 W)  
 and two pneumatic controls.

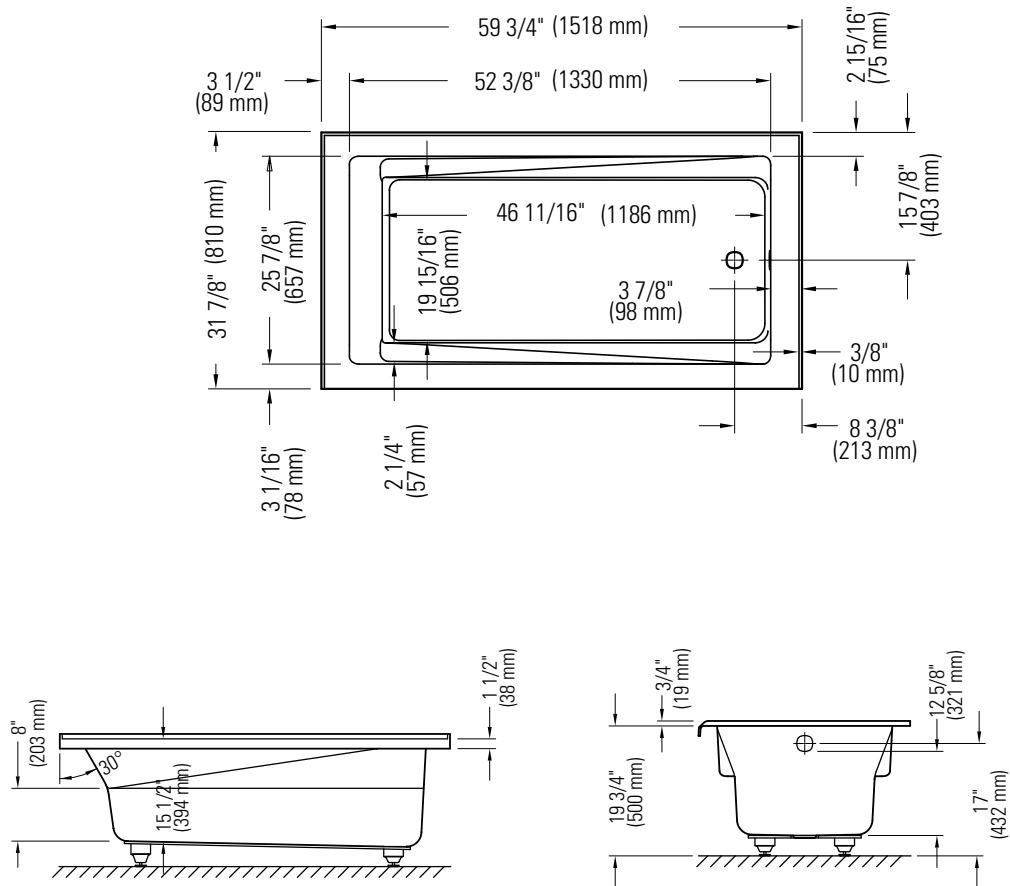
→ : Whirlpool jets    ○ : Activ-Air jets    S : Suction  
 T : Whirlpool control    A : Activ-Air control    P : Pump  
 L : Light control    ≡ : Mood light (option)

Note: The blower is never installed.



Produits Neptune

## ZENYA 3260 AFR WITH INTEGRATED TILING FLANGE



\*All dimensions are approximate and subject to change without notice.  
Please refer to the installation guide before beginning the installation.